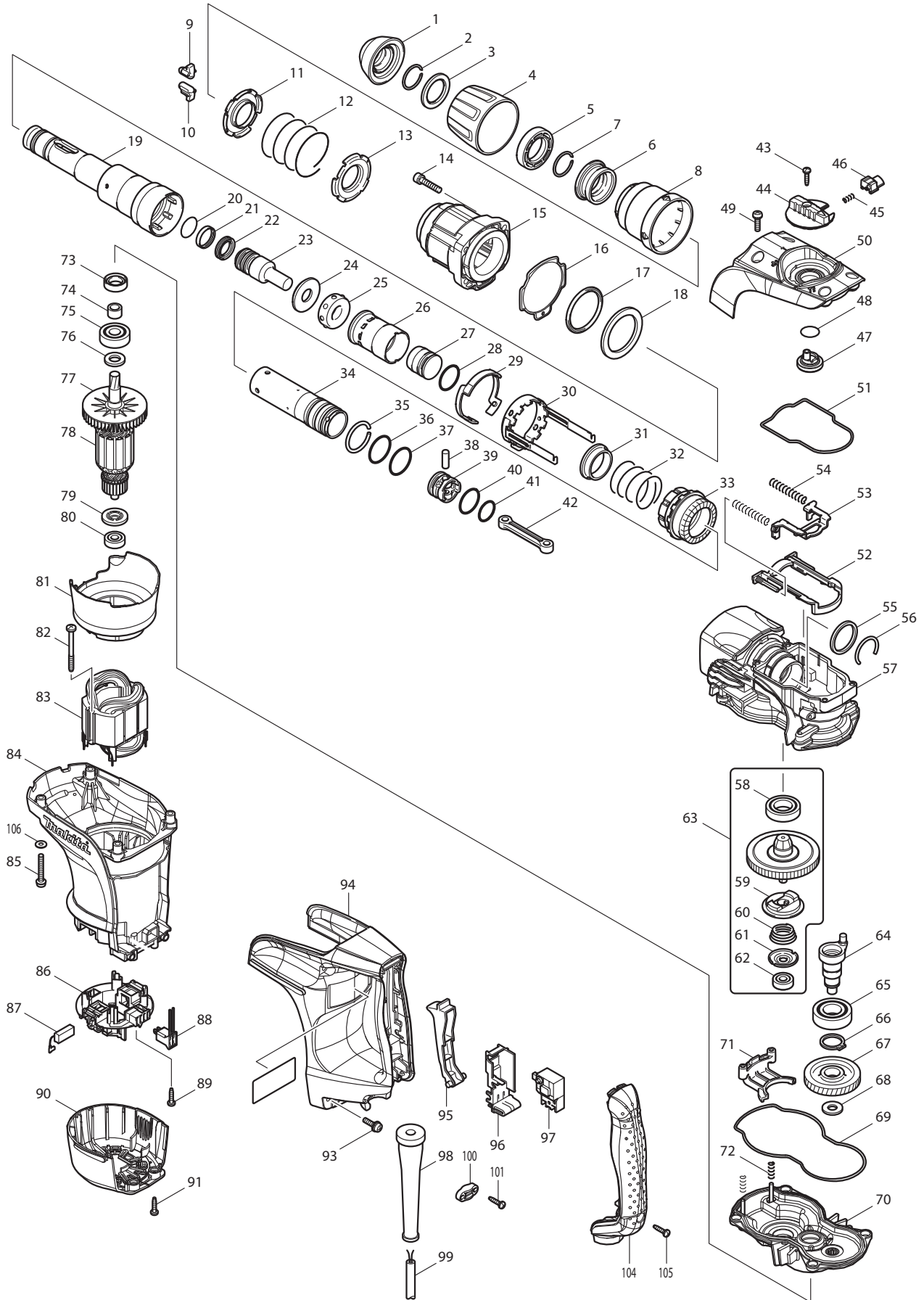




09-2010  
HR4002

# SDS-MAX 1-9/16" ROTARY HAMMER



Item No	Type	Ref	Part No	Description	Qty	Unit
1			286272-3	TOOL HOLDER CAP	1	PC.
2			231984-3	RING SPRING 25	1	PC.
3			267272-2	FLAT WASHER 28	1	PC.
4			419015-0	CHUCK COVER	1	PC.
5			419002-9	SPACER	1	PC.
6			324548-1	CHUCK RING	1	PC.
7			231984-3	RING SPRING 25	1	PC.
8			419016-8	RELEASE COVER	1	PC.
9			310161-1	TOOL RETAINER	1	PC.
10			310161-1	TOOL RETAINER	1	PC.
11			345579-7	SPRING GUIDE	1	PC.
12			233431-0	COMPRESSION SPRING 48	1	PC.
13			345579-7	SPRING GUIDE	1	PC.
14			922351-0	HEX. SOCKET HEAD BOLT M6X30	4	PC.
15	3		158568-1	* BARREL COMPLETE (W/BLUE MARK)	1	PC.
		INC.	213490-0	* OIL SEAL 32	1	PC.
		INC.	233963-7	* RING SPRING 45 (Added)	1	PC.
15	4		141993-3	* BARREL COMPLETE (W/BLUE MARK)	1	PC.
		INC.	213490-0	* OIL SEAL 32	1	PC.
		INC.	233963-7	* RING SPRING 45 (Added)	1	PC.
16	2		424565-2	SEAL SHEET (OLD# 424021-2)	1	PC.
17			262116-1	URETHAN RING 45	1	PC.
18			267336-2	FLAT WASHER 45	1	PC.
19			324542-3	TOOL HOLDER	1	PC.
20			213317-4	O RING 20	1	PC.
21			213392-0	FLUORIDE RING 25	1	PC.
22			213281-9	X-RING 18	1	PC.
23			324569-3	IMPACT BOLT	1	PC.
24			324573-2	RING 17	1	PC.
25			421901-3	RUBBER RING 17	1	PC.
26			419003-7	SLIDE SLEEVE	1	PC.
27			324571-6	STRIKER	1	PC.
28			213962-5	O RING 22	1	PC.
29			419760-7	LOCK SLEEVE GUIDE	1	PC.
30	1		165446-8	LOCK SLEEVE - N/L/A	1	PC.
	2		165633-9	LOCK SLEEVE	1	PC.
31			331709-6	RING 33	1	PC.
32			233448-3	COMPRESSION SPRING 37	1	PC.
33			227509-9	STRAIGHT BEVEL GEAR 25	1	PC.
34	2		326221-9	* CYLINDER 28.5	1	PC.
35			233935-2	RING SPRING 32	1	PC.
36			213406-5	O RING 30	1	PC.
37			213406-5	O RING 30	1	PC.
38			256197-5	PIN 7	1	PC.
39			419004-5	PISTON	1	PC.
40			213962-5	O RING 22	1	PC.
41			213379-2	O RING 21	1	PC.
42			419875-0	* CONECTING ROD	1	PC.
43			266326-2	TAPPING SCREW 4X18	1	PC.
44	2		450428-6	* CHANGE LEVER	1	PC.
45			233436-0	COMPRESSION SPRING 3	1	PC.
46			419873-4	LOCK BUTTON	1	PC.
47	2		450427-8	* LINK LEVER	1	PC.
48	2		213278-8	O RING 17 (OLD# 213265-7)	1	PC.

Item No	Type	Ref	Part No	Description	Qty	Unit
49			911231-5	PAN HEAD SCREW M5X20	4	PC.
50	2		168456-4	* CRANK CAP COVER COMPLETE	1	PC.
		INC.	419919-6	* CRANK CAP COVER	1	PC.
51	3		424566-0	* SEAL RING	1	PC.
52			419874-2	LINK PLATE GUIDE	1	PC.
53			345582-8	LINK PLATE	1	PC.
54			233432-8	COMPRESSION SPRING 7	2	PC.
55			257268-1	RING 33	1	PC.
56			233937-8	RING SPRING 31	1	PC.
57			158231-6	CRANK HOUSING COMPLETE	1	PC.
58			211323-3	BALL BEARING 6904LLU	1	PC.
59			324549-9	DRIVING FLANGE	1	PC.
60			233936-0	CONICAL COMPRESSIONSPRING19-27	1	PC.
61			345581-0	CUP WASHER 8	1	PC.
62			210005-4	BALL BEARING 608DDW	1	PC.
63	2		135508-6	TORQUE LIMITER ASS'Y	1	PC.
		INC.	267456-2	THIN WASHER 38	1	PC.
		INC.		Item No. 58-62		
64			324550-4	CRANK SHAFT	1	PC.
65			211332-2	BALL BEARING 6004LLU	1	PC.
66			961060-6	RETAINING RING S-20	1	PC.
67			226648-2	HELICAL GEAR 46	1	PC.
68			253180-3	FLAT WASHER 10	1	PC.
69	2		424551-3	SEAL RING (OLD# 424019-9)	1	PC.
70	2		158232-4	GEAR HOUSING COMPLETE	1	PC.
71			419018-4	CHANGE PLATE	1	PC.
72			233433-6	COMPRESSION SPRING 5	2	PC.
73			213231-4	OIL SEAL 15	1	PC.
74			331596-3	SLEEVE 12	1	PC.
75			211137-0	BALL BEARING 6201LLU	1	PC.
76			253084-9	FLAT WASHER 12	1	PC.
77			241863-7	FAN 70	1	PC.
78			513696-3	ARMATURE ASS'Y 115V	1	PC.
		INC.		Item No. 74-77,79,80		
79			681644-1	INSULATION WASHER	1	PC.
80			210005-4	BALL BEARING 608DDW	1	PC.
81			419870-0	BAFFLE PLATE	1	PC.
82			266418-7	TAPPING SCREW 5X55	2	PC.
83	1		625761-7	FIELD 115V - N/L/A	1	PC.
	2		625775-6	FIELD 110V	1	PC.
84			419866-1	MOTOR HOUSING	1	PC.
85			922256-4	HEX. SOCKET HEAD BOLT M5X35	4	PC.
86			638393-1	BRUSH HOLDER UNIT	1	PC.
		INC.	266007-8	TAPPING SCREW BIND PT 3X10	4	PC.
		INC.	643816-6	BRUSH HOLDER	2	PC.
87	1		194160-9	CARBON BRUSH CB-350 2PC/SET (W/O ORIGIN) - N/L/A	1	SET
	2		195004-6	CARBON BRUSH SET CB-350 2PC/SET (W/ ORIGIN)	1	SET
88			638508-0	LEAD UNIT	1	PC.
89			266326-2	TAPPING SCREW 4X18	4	PC.
90			419867-9	REAR COVER	1	PC.
91			266326-2	TAPPING SCREW 4X18	2	PC.
93			911233-1	PAN HEAD SCREW M5X20	4	PC.
94			419868-7	HANDLE	1	PC.
95			419025-7	SWITCH LEVER	1	PC.

Item No	Type	Ref	Part No	Description	Qty	Unit
96			154626-1	SWITCH HOLDER COMPLETE	1	PC.
97			651922-3	SWITCH TG71B, SINGLE, W/O LOCK	1	PC.
98			682560-0	CORD GUARD 10	1	PC.
99			664256-5	CORD W/PLUG 2P-16-3.0M,SJ	1	PC.
100			687123-7	STRAIN RELIEF	1	PC.
101			266326-2	TAPPING SCREW 4X18	2	PC.
104			419869-5	HANDLE COVER	1	PC.
105			266326-2	TAPPING SCREW 4X18	1	PC.
106			941101-4	FLAT WASHER 5	4	PC.
200			265701-9	SCREW M6X14 (F/GRIP ASSY)	1	PC.
201			266163-4	CUP SQUARE NECK BOLT M8X80 (F/GRIP ASSY)	1	PC.
202			344491-8	GRIP SPRING 68 (F/GRIP ASSY)	1	PC.
203			344492-6	PLATE (F/GRIP ASSY)	1	PC.
204			416299-1	SIDE GRIP BASE 68 (F/GRIP ASSY)	1	PC.
205			931302-2	HEX. NUT M6 (F/GRIP ASSY)	1	PC.

**ACCESSORIES**

- See catalogue or visit [www.makita.ca](http://www.makita.ca) for optional accessory -

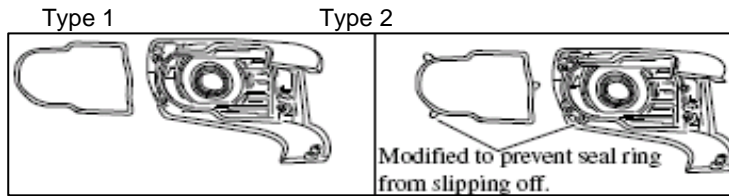
A01			158131-0	GRIP 36 COMPLETE	1	PC.
A02	1		181573-3	GREASE VESSEL 93G - N/L/A	1	PC.
	2		194683-7	GREASE VESSEL SET, 100CC, PUMP TYPE, FOR BIT	1	PC.
A03			321248-4	DEPTH GAUGE	1	PC.
A04			824798-3	PLASTIC CARRYING CASE	1	PC.
		INC.	163467-4	LATCH	2	PC.
A05	2		195195-3	HAMMER SERVICE KIT (OLD# 188049-1)	1	PC.
		INC.	213281-9	X RING 18 (Item No.26)	1	PC.
		INC.	213392-0	FLUORIDE RING 25 (Item No.25)	1	PC.
		INC.	213317-4	O RING 20 (Item No. 24)	1	PC.
		INC.	286285-4	TOOL HOLDER CAP (Item No.1)	1	PC.
		INC.	194160-9	CARBON BRUSH CB-350 (Use 195400-6 for replacement)	1	PC.
		INC.	A-90582	MAKITA GREASE R NO.00 30CC (1OZ)	2	PC.
		INC.	213962-5	O RING 22 (Item No.32)	2	PC.
A06			196074-8	SDS-MAX DUST EXTRACTION ATTACHMENT (See PartsBreakdown - 196074-8)	1	PC.

**SERVICE CHANGES**

**1. Changes on Crank Cap Complete, etc.**

Item No.	Description	Type 1	Type 2	Type 3
50	CRANK CAP COVER COM	168441-7		168456-4
51	SEAL RING	424020-4	424084-8	424566-0

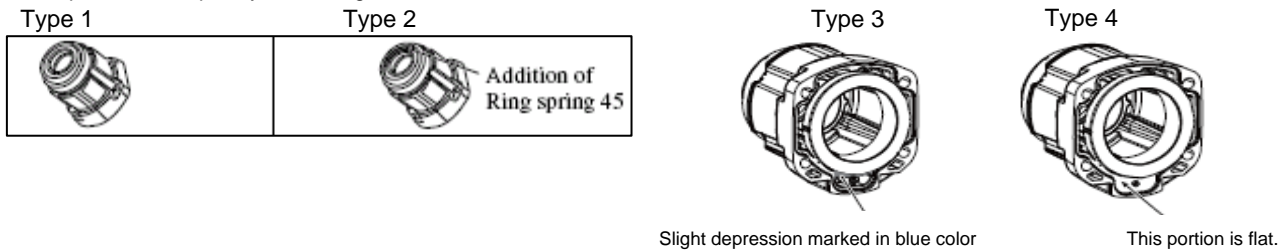
Above parts are completely interchangeable as a set.



**2. Changes on Barrel Complete**

Item No.	Description	Type 1	Type 2	Type 3	Type 4
15	Barrel Complete	158230-8	158568-1 (W/O BLUE MARK)	158568-1 (W/BLUE MARK)	141993-3
15	Oil Seal (component of Item 15)	213490-0			
15	Ring Spring (component of Item 15)	-----	233963-7		

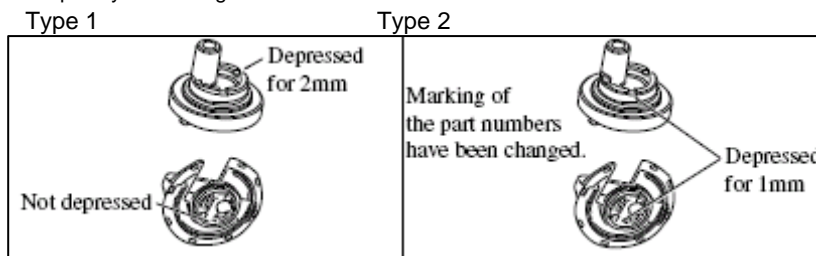
Above parts are completely interchangeable as a set.



**3. Changes on Change Lever & Link Lever**

Item No.	Description	Type 1	Type 2
44	Change Lever	419872-6	450428-6
47	Link Lever	419871-8	450427-8

Above parts are completely interchangeable as a set.



**4. Changes on Cylinder 28.5**

Item No.	Description	Type 1	Type 2
34	Cylinder 28.5	324570-8	326221-9
42	Connecting Rod	419875-0	

**NOTE:**

The holes of Cylinder 28.5 have been reduced to two from four to improve the durability of Connecting rod.  
Change Cylinder 28.5 to Type 2 one when Connecting rod is replaced with new one for repair.